

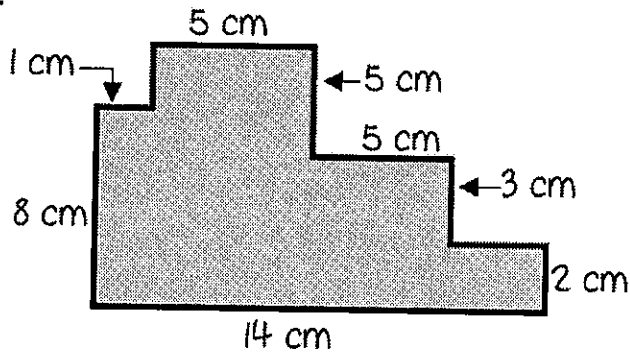
Name: _____

Date: _____

Composite Figures (B)

Find the area and perimeter of each figure below to the nearest tenth. (Do NOT assume figures are drawn to scale.)

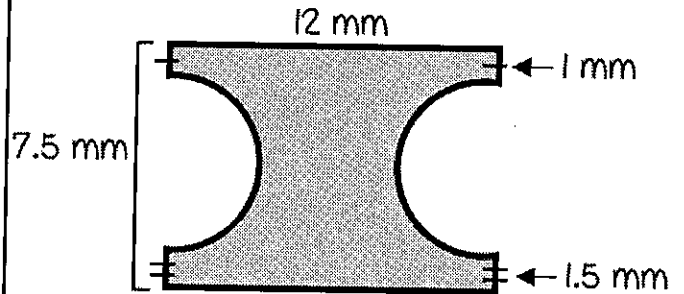
1.



Area:

Perimeter:

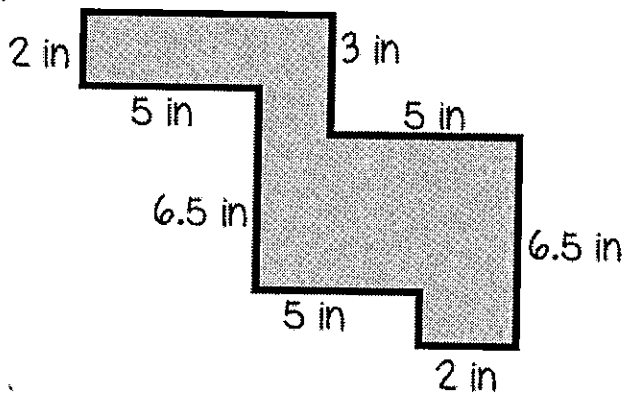
2.



Area:

Perimeter:

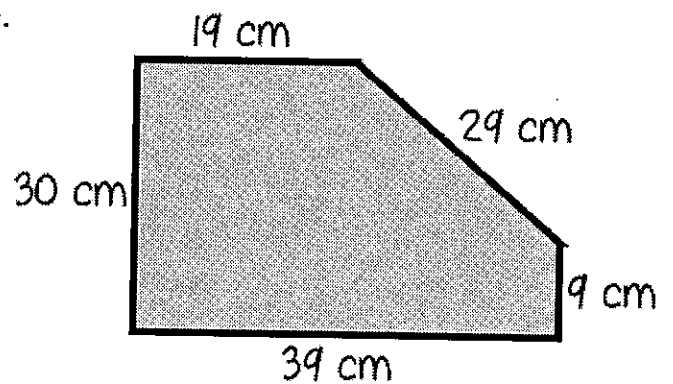
3.



A:

P:

4.

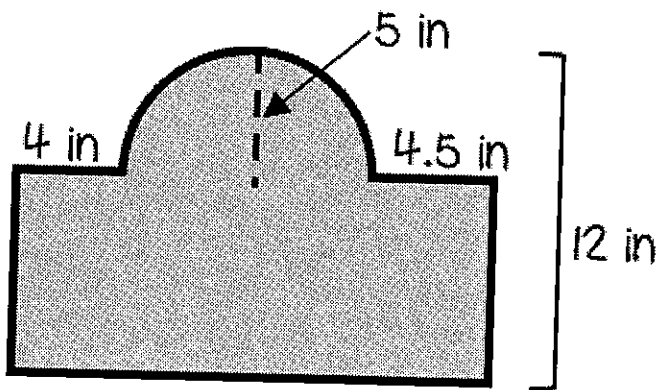


A:

P:

Find the area and perimeter of each figure below to the nearest tenth. (Do NOT assume figures are drawn to scale.)

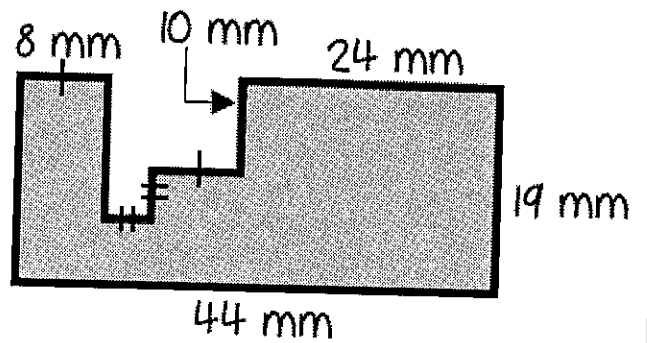
5.



A:

P:

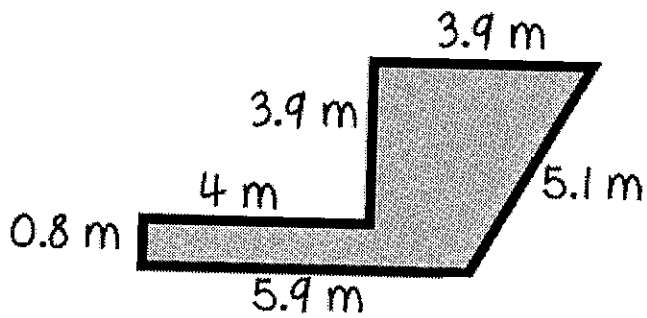
6.



A:

P:

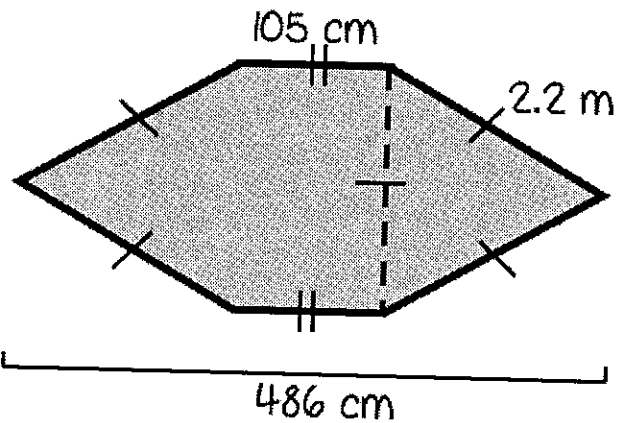
7.



A:

P:

8.



A:

P: